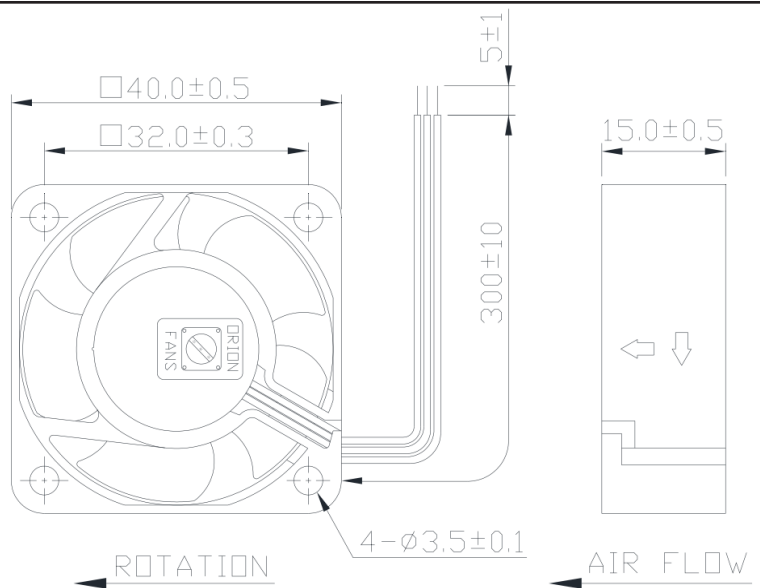


OD4015-24LB02A



DC Fan, 24VDC

40x15mm (1.58x.59in)

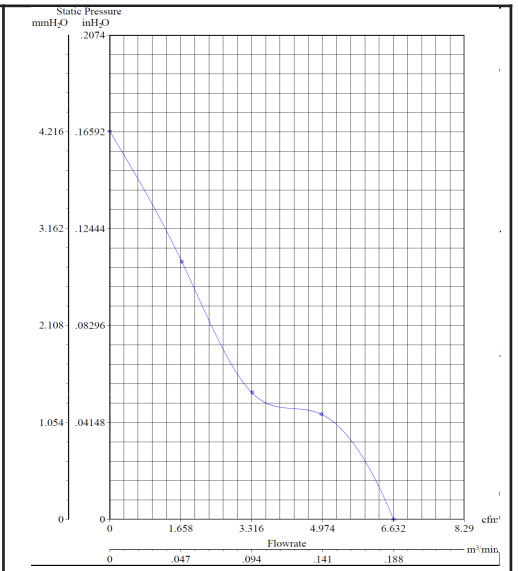


Frame & Impeller	PBT, UL94V-0 plastic
Connection	3x Lead wires *
Motor	Brushless DC, auto restart, polarity protected.
Bearing System	Dual ball bearing
Insulation Resistance	Min. 10M at 500VDC
Dielectric Strength	1 second at 500VAC max leakage 500 microamp
Temperature Range	-10C ~ +70C
Storage Temperature	-40C ~ +80C
Life (L10)	70,000 hours (40C)

Available Options
 IP55
 Other speeds and voltages
 Tachometer Alarm

*Connection:
 Wire Leads - UL1007
 26AWG Red(+), Black (-), Yellow Alarm

Weight: 24 g



Model Number	OD4015-24LB02A
Part Number	146221231
Nominal Voltage	24 VDC
Voltage Range	17~ 26.4 VDC
Nominal Current	.06 A
Rated Power	1.92 Watts
Rated Speed (RPM)	6000
Airflow (CFM)	6.8
Noise Level (dB)	29
Max. Static Pressure	.16 "H ₂ O

